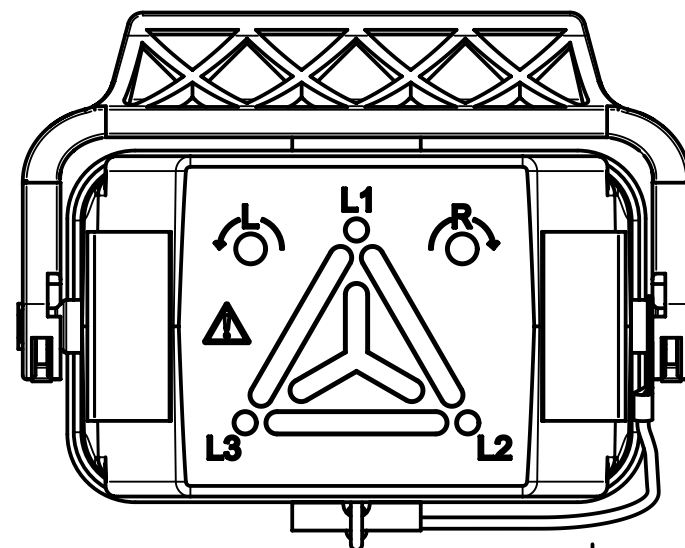


**Gefahr / Danger!**

Lebensgefahr durch Stromschlag. Der Mehrphasen-Prüfstecker kann keine Spannungsfreiheit darstellen. Eine Phase kann stromführend sein, ohne dass dies angezeigt wird. Um die Phasen L1, L2 oder L3 anzuzeigen, müssen mindestens zwei Phasen anliegen!

*Danger of life due to electric shock. The multiphase test connector is incapable of displaying the absence of power. One phase may conduct current, even though this is not displayed. For displaying phases L1, L2 or L3, at least two phases must be live!*

Colour/Symbol	Description
△ (white)	Dreieck-Schaltung/ Delta Circuit
⋈ (white)	Stern-Schaltung/ Star Circuit
L1 (orange)	Anschluss Phase L1/ Connection Phase L1
L2 (orange)	Anschluss Phase L2/ Connection Phase L2
L3 (orange)	Anschluss Phase L3/ Connection Phase L3
green	Drehfeld rechts/ Clockwise rotating field
red	Drehfeld links/ Counter-Clockwise rotating field



Pin	Description
1	L1
2	L2
3	L3
4	n.c.
5	n.c.
6	W2
7	U2
8	V2
9	TF
10	TF

	All Dimensions in mm	Tech. Character.		Free size tol.		According to production drawing 2016-07-05	
	All rights reserved Department HCS - DE	Created by WARKENTIM	Inspected by PFEIL	Standardisation FISCHERJ	Date 2016-07-05	State Final Release	
HARTING Customised Solutions D-32427 Minden		Title Multiphase Test Connector 10 B		Doc-Key / ECM-Nr. 100662955/UGD/001/C 500000106191		Rev. C	Page 1/1
		Type TB	Number 61 12 201 0010.01				